

MODEL GRB90SS

STAINLESS STEEL GROOVED BUTTERFLY VALVE

PN16



رؤية 2030
المملكة العربية السعودية
KINGDOM OF SAUDI ARABIA



PRODUCT DESCRIPTION

The BARIQ GRB90SS Grooved Butterfly Valve is a high-performance stainless steel valve designed for isolation and flow control applications in HVAC, industrial, water treatment, and clean fluid systems.

The valve features a compact grooved-end design for quick installation and maintenance, with a corrosion-resistant stainless steel body and disc suitable for demanding environments.

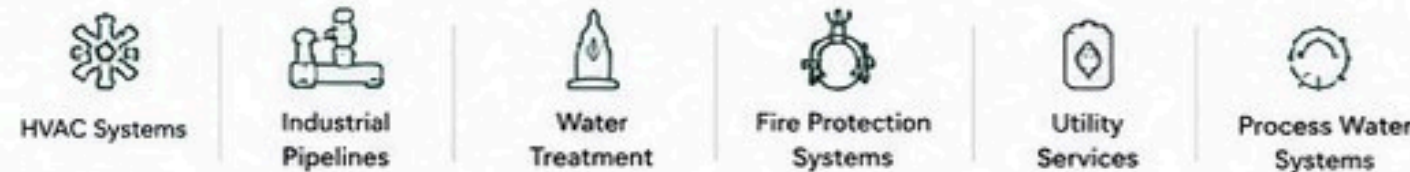
TECHNICAL OVERVIEW

Nominal Pressure	PN16
Temperature Range	-10°C to +120°C
Connection Type	Grooved Ends
Operation	Manual Lever
Applicable Fluid	Water, Non-corrosive liquid
Body Material	SS316
Disc Material	SS316L
O-Ring Material	NBR

KEY FEATURES & DESIGN ADVANTAGES

- Stainless Steel Construction**
Excellent corrosion resistance and long service life
- Compact Grooved Design**
Reduces installation time significantly
- Low Torque Operation**
Lightweight and easy to operate
- Quick Installation & Maintenance**
Grooved ends allow fast and reliable installation
- Corrosion Resistant**
Suitable for aggressive water and industrial environments
- Suitable for Water & Industrial Applications**
Ideal for HVAC, water treatment, fire protection and utility systems
- Durable Lever Locking Handle**
Provides secure operation and position locking
- Embossed BARIQ Logo on Body**
Genuine BARIQ quality assurance
- Smooth Flow Characteristics**
Full bore design ensures low pressure drop

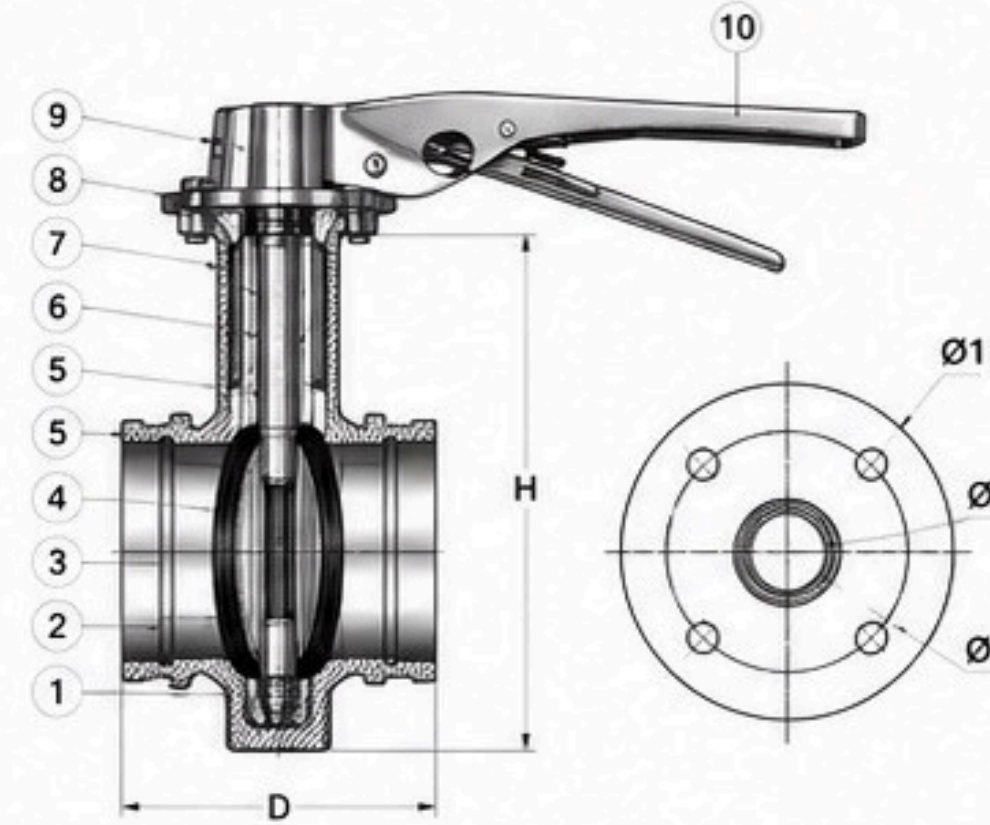
APPLICATIONS



OPTIONAL CONFIGURATIONS



TECHNICAL DRAWING



DIMENSION TABLE (mm)

SIZE	H (mm)	D (mm)	D1 (mm)	Ø1 (mm)	Ø2 (mm)	Ø3 (mm)
DN50	90	60	54.7	65	50	8
DN65	95	76.3	72.3	65	50	8
DN80	105	89.1	85	65	50	8
DN100	120	114.3	109	90	70	10
DN125	128	139.8	135	90	70	10
DN150	150	168.3	163	90	70	10
DN200	147	219	213.5	125	102	12
DN250	156	273	267.5	125	102	12
DN300	166	324	317	125	102	12

Note: Dimensions are subject to change without notice.

STANDARDS & TESTING

- Design & Manufacture — ASTM
- Face to Face (Structure Length) — ASTM
- Pressure Testing — BS EN 12266-1
- Thread Standard — N/A
- Marking — According to MSS-SP-25



MATERIAL SPECIFICATION

NO.	PART NAME	MATERIAL
1	Body	SS316
2	Disc	SS316L
3	Stem	SS316
4	Stem Ring	SS304
5	Bushing	SS316
6	O-Ring	NBR
7	Lever	Nylon
8	Pin	65Mn
9	Handle Plate	SS316
10	Handle	SS316

TECHNICAL SPECIFICATIONS

Model	GRB90SS
Valve Type	Grooved Butterfly Valve
Connection Type	Grooved Ends
Operation	Manual Lever
Body Material	SS316
Disc Material	SS316L
Stem Material	SS316
Ring Material	SS304
O-Ring Material	NBR
Temperature Range	-10°C to +120°C
Working Pressure	PN16
End Connection Standard	Standard Grooved
Coating	Natural Stainless Steel Finish

APPLICATIONS

- HVAC Systems
- Industrial Pipelines
- Water Treatment
- Fire Protection Systems
- Utility Services
- Process Water Systems

SCAN FOR SELECTION SOFTWARE

