

MODEL GRB90D

DUCTILE IRON GROOVED BUTTERFLY VALVE

PN16



PRODUCT DESCRIPTION

The BARIQ GRB90D Grooved Butterfly Valve is designed for reliable isolation and flow control in HVAC, fire fighting, and water distribution systems.

The valve features a durable ductile iron body with grooved-end connections for fast installation and maintenance. The compact design and low operating torque make it suitable for commercial and industrial piping systems.

FEATURES

- Ductile Iron Body Construction
- Grooved-End Connection
- Compact & Lightweight Design
- Low Torque Operation
- Durable EPDM Seat
- Fusion Bonded Epoxy Coating
- Suitable for HVAC & Fire Fighting
- Fast Installation & Maintenance

APPLICATIONS

- HVAC Systems
- Fire Fighting Systems
- Chilled Water Networks
- Water Distribution
- Mechanical Rooms
- Commercial & Industrial Buildings

OPTIONAL CONFIGURATIONS

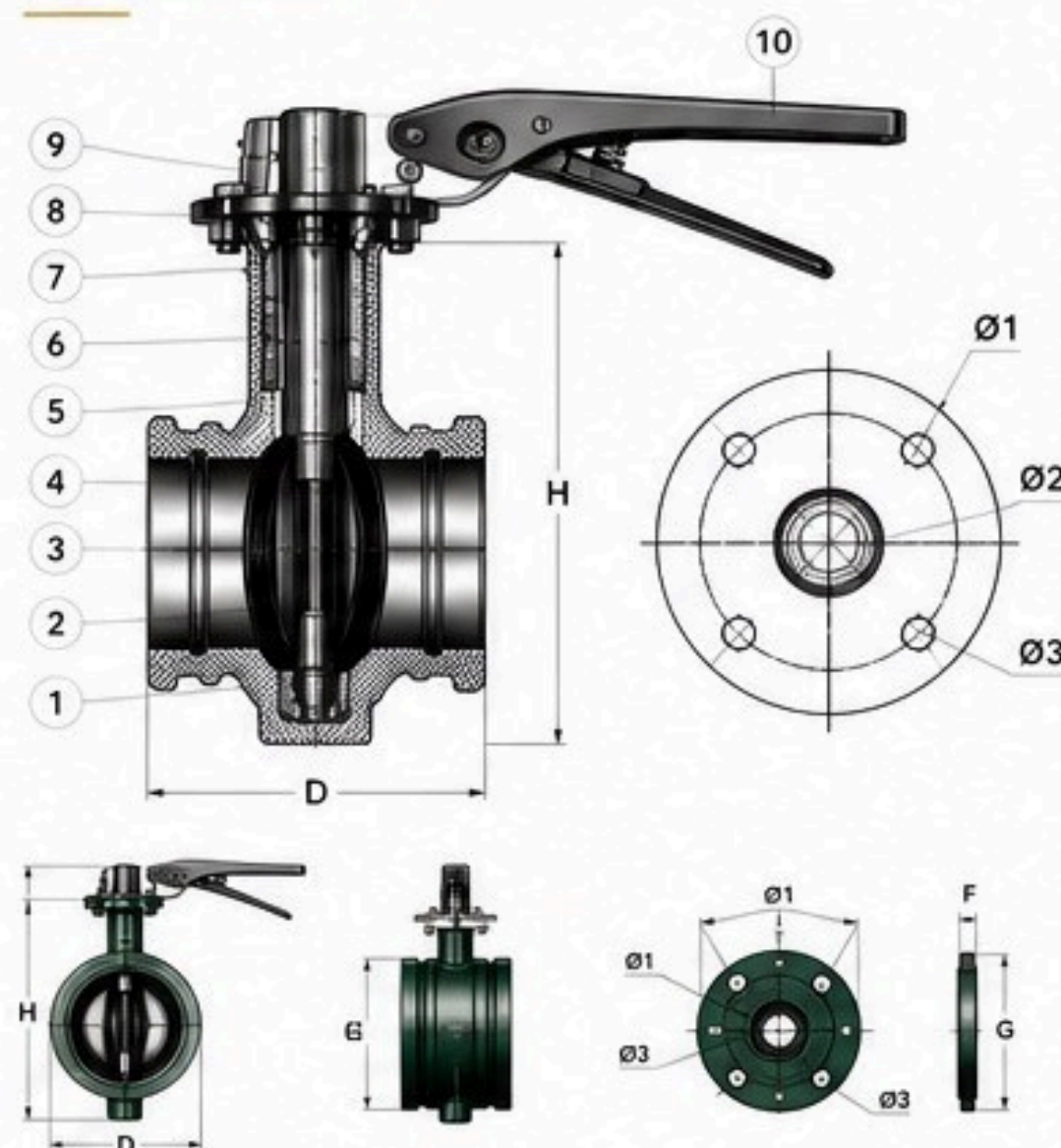
- Gear Operator
- Electric Actuator
- Pneumatic Actuator
- Supervisory Switch
- Different Seat Materials Available



TECHNICAL OVERVIEW

- Nominal Pressure PN16
- Temperature Range -10°C to +110°C
- Connection Type Grooved Ends
- Operation Manual Lever
- Applicable Fluid Water, Non-corrosive liquid
- Body Material Ductile Iron
- Disc Material Fusite Iron + EPDM
- Seat Material EPDM
- O-Ring Material NBR

TECHNICAL DRAWING



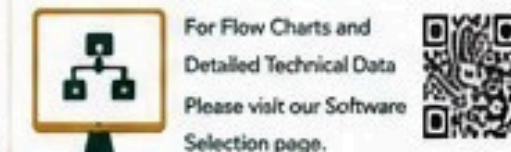
DIMENSION TABLE (mm)

SIZE	H mm	D mm	D1 mm	G mm	F mm	Ø1 mm	Ø2 mm	Ø3 mm
DN50	90	60	54.7	8.7	16	65	50	8
DN65	95	76.3	72.3	8.7	16	65	50	8
DN80	105	89.1	85	8.7	16	65	50	8
DN100	120	114.3	109	8.7	16	90	70	10
DN125	128	139.8	135	8.7	16	90	70	10
DN150	150	168.3	163	8.7	16	90	70	10
DN200	200	219	213.5	13	19	125	102	12
DN250	159	273	267.5	13	19	125	102	12
DN300	164	324	317	13	19	125	102	12

Note: Dimensions are subject to change without notice.

STANDARDS & TESTING

- Design & Manufacture — ASTM
- Face to Face (Structure Length) — ASTM
- Pressure Testing — BS EN 12266-1
- Thread Standard — N/A
- Marking — According to MSS-SP-25



bariigroup.com/software-selection

MATERIAL LIST

NO.	PART NAME	MATERIAL
1	Body	Ductile Iron
2	Disc	Ductile Iron + EPDM
3	Stem	Steel
4	Stem Ring	Steel
5	Bushing	Steel
6	O-Ring	NBR
7	Lever	Ductile Iron
8	Pin	65Mn
9	Handle Plate	Steel
10	Handle	Steel

TECHNICAL SPECIFICATIONS

ITEM	DESCRIPTION
Model	GRB90D
Valve Type	Grooved Butterfly Valve
Connection Type	Grooved Ends
Body Material	Ductile Iron
Disc Material	Ductile Iron + EPDM
Stem Material	Steel
Seat Material	EPDM
O-Ring Material	NBR
Lever Material	Ductile Iron
Coating	Fusion Bonded Epoxy
Pressure	PN16
Temperature	-10°C to +110°C

APPLICATIONS

- HVAC Systems
- Fire Fighting Systems
- Chilled Water Networks
- Water Distribution
- Mechanical Rooms
- Commercial & Industrial Buildings

SCAN FOR SELECTION SOFTWARE

