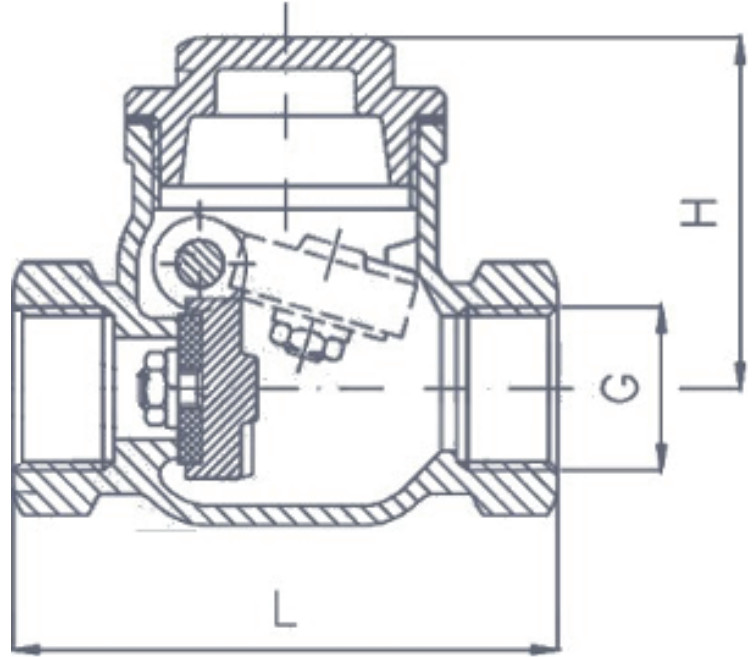




Bronze Swing Check Valve Model C300

Product Data



Bariq S200 Parameters:

| G | 1/2 | 3/4 | 1 | 1 1/4 | 1 1/2 | 2 |
|-----------|-----|-----|-----|-------|-------|-----|
| L | 70 | 80 | 95 | 110 | 125 | 145 |
| H | 45 | 50 | 65 | 70 | 75 | 90 |
| Weight Kg | 0.6 | 0.7 | 1.1 | 1.6 | 2.1 | 3.4 |

Material Specification:

| | | |
|---|-----------|--------|
| 1 | Body | Bronze |
| 2 | Disc | Brass |
| 3 | Cap | Bronze |
| 4 | PIN/ PLUG | Brass |

Manufacturing Standard:

- Design and manufacture in accordance with ASTM stander
- Structure length in accordance with ASTM
- Pressure test standard accordance with ISO5208
- Brass Disc
- End connections threaded ANSI

Inspection:

| | | |
|---------------------|----|---------------|
| Working pressure | PN | 20 |
| Pressure test | PN | 24 |
| Working Temperature | °C | -10 up to 180 |

